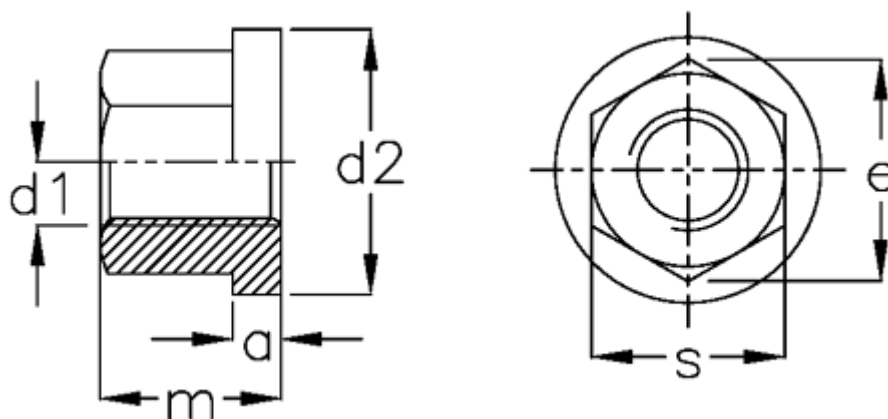


# Data Sheet



Article number: 20818513  
Description: E+G Collar nut  
DIN 6331-M14

## Measures



$a = 4.0$   
 $d1 = M14$   
 $d2 = 28$   
 $e = 25.4$   
 $m = 21$   
 $s = 22$